

# Warton Stock Car Club

## Back to Basic Banger Rules

This formula is designed as the entry level fun Banger class ideal for those just starting out or those drivers who want to race with a limited budget. The object of the racing is to complete the specified number of laps in the shortest time. You may push a car from behind or spin a car out but there is no following-in (you must not be on the back or side of a car as it hits the fence). 'T-Bones' are also not permitted. The definition of a 'T-Bone' is when contact is made with the side of a car between the front and rear wheels. T-boning cars which are against or close to the barrier with excessive force is not allowed. It is also not permitted to t-bone a car which is close enough to the barrier to mean that significant impact with the barrier is inevitable after the hit. Even where cars are not against or near the barrier, the Steward may still consider a hard t-bone anywhere on the circuit to be excessive and may take the appropriate action to discipline the driver. Full contact will be for the DD ONLY.

This is a strictly limited contact formula aimed especially at novice drivers and to encourage new drivers to join the sport. Anyone not sticking to the rules and the spirit of the meetings will be loaded up and could face a lengthy ban. **Future bookings for back to basic meetings may also be refused.**

### ELIGIBLE CARS

- Any cars under 1800cc petrol or u2000cc non-turbo diesel are allowed to race. No Ford Mondeo **S/C MAX. No Non-Factory Limousines unless stated on the fixture list.**
- **Car Based 4x4 are permitted.**
- **No Left hand drive vehicles are permitted.**
- No pre raced "standard bangers" will be allowed.

### INITIAL PREPARATIONS

- Remove all exterior mouldings, screen glass, lamps, handles **and any spoilers.**
- Remove all interior mouldings and trim except for the driver's seat and dashboard.
- Remove all airbags and charges (if fitted), drivers side inner door handle and passenger seating.
- Remove the fuel tank, spare wheel carrier & tow bar if fitted.
- Remove the rear spoiler even if factory fitted.
- All rear bumpers must be removed, the original front bumper maybe left on, but the outer plastic must be removed to just leave the 'under' bumper. No changing of bumpers during the meeting. NO New/Replacement bumpers on used cars. No wrapping of bumpers with tape or seat belt.
- It is compulsory to pad steering columns with **seat foam** if the original trim is removed.
- It is compulsory to pad the B pillar and roll cage **with set foam.**
- Cars **must** remain 'on the key' with the original ignition system.
- Petrol pumps must be able to be turned off either by the ignition key or a battery cut-off switch.
- Radiators must be left in the original position at all times and replacement radiators must be in the same original place.
- Batteries may be left in the original position but if moved inside the car must be securely fastened and covered.
- Original fuel lines may be used but must enter the car either through or as near to the bulkhead as possible.
- The lower edge of the front wings may be trimmed or cut but wings must not be folded or crimped.
- Bonnets can be tied down with seat belt only in a maximum of four separate places.
- Boots/hatchbacks must be tied shut with seat belt only in two separate fixings.
- Passenger doors may be  **tied**  shut with seat belt in a maximum of **two** separate places **which must not go through the roof or the floor. Any seat belt must be knotted and not fixed with tape or tex screws. Drivers door may be taped shut.**
- No **additional** welding is permitted ~~anywhere on or in the car.~~
- **Seat belts can be fitted using chain, the chain must be at least 8mm thick & be solid links**
- Apart from items mentioned within these rules all other parts must remain standard as manufactured.
- **For Safety reasons, it is compulsory to fully tape over or cover the centre of the steering wheel to avoid possible wrist injury.**

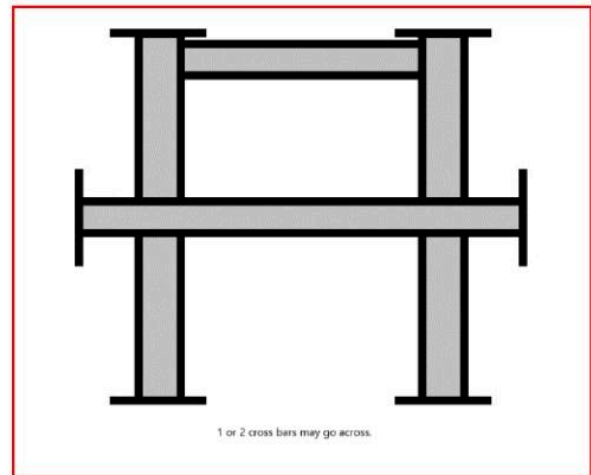
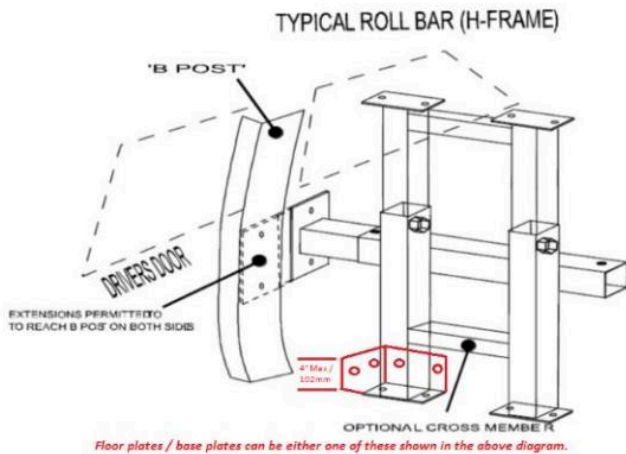
# SAFETY HARNESS

The lap belt/straps and crotch straps should not pass over the sides of the seat, but through it, in order to wrap and hold the pelvic region over the greatest possible surface. A minimum of a four-point buckle fixing must be used with a minimum of 3 floor fixings. A secure part of the floor or cage (including the seat bar), are recommended anchor points. All seatbelt connection points must be visible and no belts pass through any firewall. The safety of your seat will be judged by the Scrutineer's and you will only be permitted to race when they are satisfied that you will be as safe as possible in any event.

- Each Piece of Seatbelt must be fixed separately.
- If Chain is being used minimum size of chain is 8mm Diameter.

# ROLL BAR

- Roll cages may be adjustable (height and width), however the use of screw adjusters i.e. acrow style are not permitted. The roll cage must be fitted upright or dog-legged, but not leaning back or forward.
- It is compulsory to pad roll cages **with seat foam**, including the B pillar and steering columns must also be padded with **seat foam**.



***These two diagrams are a guideline to how the frame should be constructed but gusseting or triangulation is accepted.***

- The hoop must be one piece or two uprights and one top bar of a welded construction. This top bar should be as shown at the top of the uprights.
- A second cross bar is compulsory, a third is optional; these must be welded or bolted to the uprights.
- THE ROLL BAR MUST NOT HAVE ANY REAR SUPPORTS but may have extensions no further forward than the B post. If used, it is recommended that this is bolted through the B post.
- The minimum size for roll bar is 2" (50mm), maximum size 4" (100mm), minimum thickness 3mm. This MUST be box or tube.
- Crossbars must have a 5" (125mm) square end plate fitted.
- Each upright must have a minimum of two bolts on each side to the floor and two each side at the top. The maximum size of the base plate is 15" (385mm) x 11" (280mm) These may go up the side of the sill or the rear panel straight up and a maximum of 4" (102mm) high and the same length and width as the base plate/floor plate of the cage, a maximum of 2 bolts through the side.
- Roll bar must be bolted in at the roof and floor with washers on the exterior of at least 100x100mm and not welded into the car at any point and must not protrude outside of the cars internal space.
- End plates of the roll cage must be bolted through the B pillar on the passenger side. On the drivers side it must go through the B pillar or the drivers door plate

- You must tie the seat at shoulder level to the roll cage or B pillar, through the seat frame not headrest, you may fit the 2nd cross bar in support of the seat just below the window aperture or weld a frame on the cage to support the seat at the top.

## BODYWORK

- A driver's door plate must be fitted & overlap the door pillars by a minimum of 3".
- *NB. No trench plates are permitted.*
- The plate must be a minimum of 10mm or 3/8", to a maximum of 19mm or 3/4" in thickness.
- Its depth must be no less than 254mm or 10" & no more than 305mm or 12".
- The plate must have a minimum of five (M12) 19mm fixings. It must be through the 'B' Pillar, also the 'A' Pillar where possible with large washers each side.
- The door plate holes must not be slotted.
- A steel plate fitted to the driver's floor-pan is compulsory. It must be no thicker than 6mm, and must be bolted in. This may be modified to rise to the maximum height of the sill of the door side only.
- Front wings may be cut or trimmed but must not be crimped or folded.

## Sun Roofs

- **Roof plates are compulsory. The minimum thickness of flat steel plate is 3mm, and it must be secured by a minimum of 8 bolts or welded. The roof plate must not extend further back than 75mm from the rear of the roll cage uprights**

## WHEELS & TYRES

- Any standard manufactured road wheel may be used in any combination of sizes but this must not be used to gain an advantage.
- *No tyre gators are permitted.*
- Only conventional road tyres are allowed.
- A scrutineer has the option to ask the driver to remove any tyre they deem not within the spirit of the class.

## EXHAUSTS

- **Any car that is deemed to be too noisy will not be permitted to race. This is at the scrutineer and Steward of the Meetings discretion.**
- Extra fittings are permitted.
- **Ineffective or systems that become insecure while racing will require you to pull off the circuit, as you will be excluded from the results & get a technical disqualification**

## BRAKES

- The standard manufacturers system must be used & work on all 4 wheels.
- The handbrake must also be operational.

## FUEL SYSTEM

- The fuel tank must be made of steel or housed in a steel box & have a maximum capacity of 9 litres. No converted fire extinguishers are allowed
- The fuel tank may be fitted to the "H frame" or behind the driver in the passenger area.
- Fuel caps must be of a metal screw type, no push fit types are allowed
- The fuel outlet must be from the top of the tank.
- A breather pipe must be fitted which must incorporate a one-way valve. The pipe must terminate through the floor as to prevent spillage if inverted.
- All fuel lines must be of good quality rubber or be metal covered, no rigid metal piping is allowed.
- Only roadside fuel can be used Petrol or Diesel. No additives are allowed.

- Multi point injection can be used with a return back to the tank or a t-piece fitted in the fuel line between the fuel tank and the fuel pump.

## SUN VISOR

- A Sun visor is not permitted.

## FIN PLATES

- Fin plates must be fitted above the roof line and bolted securely to the car.
- No large objects to be used as fins.
- Fin plate numbers must be clear and legible, black on white or white on black is highly recommended. ***If the lap scorers can not read them you won't be scored during a race.***
- ***The Fin plate must be mounted with a minimum of two M12 bolts, (No tex screws) the fin plate must be stood up and easily readable from a side view, if not you may not be lap scored***

## SPECIFICATION AND RULE CHANGES

The Promotion may at any time make amendments to the Specifications for the following reasons:

- In the interests of Safety
- Reduce costs for the driver
- In areas that are detrimental to the future of the formula
- If an unnecessary advantage has been deemed.
- A Scrutineer has the power to remove any item he/she may think is not within the spirit of the rules at the end of the meeting.

**ANY CONTRAVENTION OF THE ABOVE RULES CAN RESULT IN THE DRIVER RECEIVING DISCIPLINARY ACTION AND/OR SUSPENSION.**

**THE ABOVE RULES WILL BE AMENDED, OMITTED OR ADDED TO AT THE DISCRETION OF THE CLUB COMMITTEE. THE LICENCES ISSUED BY THE CLUB ARE FOR WARTON ONLY, THEY ARE NOT TRANSFERABLE.**

**IF THE RULES DO NOT SPECIFY THAT YOU CAN, THEN TAKE IT THAT YOU CAN'T**

**Updated 11th May 2026**

**These rules are valid with immediate effect.**